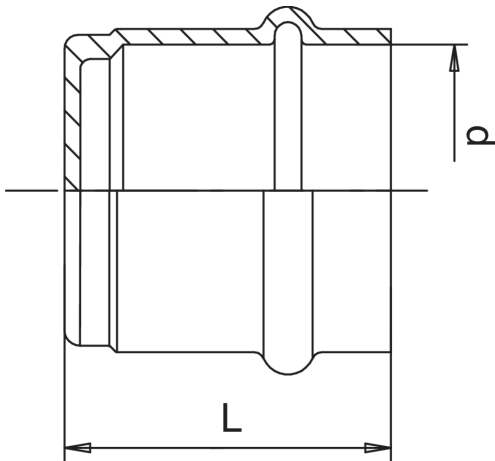


Spécifications techniques



D	BAG	MASTER BOX	CODE	L
12	10	200	ZC0302012000000	21
15	10	200	ZC0302015000000	25
18	10	350	ZC0302018000000	26
22	10	200	ZC0302022000000	27
28	10	200	ZC0302028000000	28
35	5	80	ZC0302035000000	29
42	5	20	ZC0302042000000	39
54	5	20	ZC0302054000000	43

Applications



HEATING



HVAC



COMPRESSED
AIR