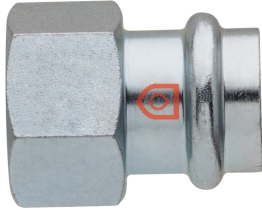
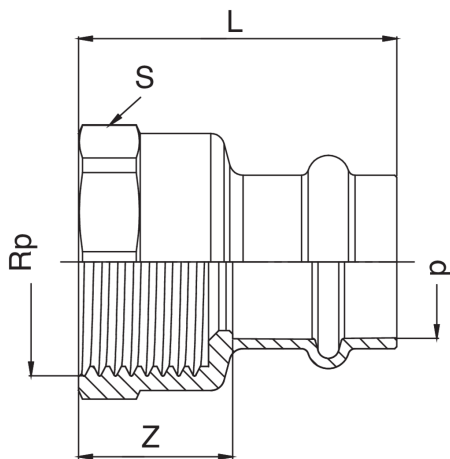


Manchon F/filetage femelle.



## Spécifications techniques



D X RP	BAG	MASTER BOX	CODE	L	S	Z
12 x 3/8"	10	100	ZCF270A38012000	31	21	13
12 x 1/2"	10	100	ZCF270A12012000	34	25	16
15 x 3/8"	10	100	ZCF270A38015000	46	21	24
15 x 1/2"	10	200	ZCF270A12015000	50	25	28
18 x 1/2"	10	150	ZCF270A12018000	54	25	31
18 x 3/4"	10	100	ZCF270A34018000	55	32	32
22 x 1/2"	10	100	ZCF270A12022000	55	32	31
22 x 3/4"	10	100	ZCF270A34022000	44	32	20
22 x 1"	5	50	ZCF270B01022000	59	38	35
28 x 3/4"	5	70	ZCF270A34028000	57	32	32
28 x 1"	5	50	ZCF270B01028000	60	38	35
35 x 1"	5	40	ZCF270B01035000	61	38	35
35 x 1 1/4"	5	30	ZCF270B14035000	63	50	37
35 x 1 1/2"	5	20	ZCF270B12035000	63	55	37
42 x 1 1/2"	1	20	ZCF270B12042000	71	55	35
54 x 1 1/2"	1	15	ZCF270B12054000	84	60	44
54 x 2"	1	10	ZCF270C02054000	90	64	50

## Applications



