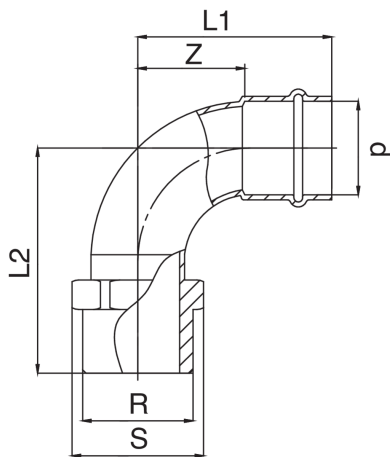




Coude F/filetage mâle.



## Spécifications techniques



D X R	BAG	MASTER BOX	CODE	L1	L2	S	Z
15 x 3/8"	10	100	ZC0F92A38015000	42	38	21	22
15 x 1/2"	10	100	ZC0F92A12015000	42	39	21	22
18 x 1/2"	10	80	ZC0F92A12018000	45	43	21	22
22 x 3/4"	10	80	ZC0F92A34022000	51	47	27	27
28 x 1"	5	30	ZC0F92B01028000	61	67	34	36
35 x 1"1/4	5	20	ZC0F92B14035000	69	81	42	43
35 x 1"1/2	1	15	ZC0F92B12035000	69	84	48	43
42 x 1"1/2	5	15	ZC0F92B12042000	89	81	50	53
54 x 2"	1	8	ZC0F92C02054000	114	106	60	74

## Applications

