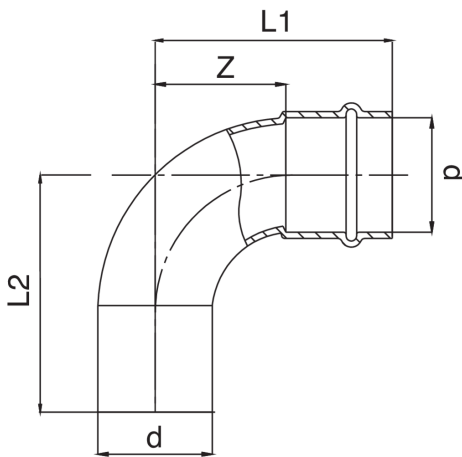




Spécifications techniques



D	BAG	MASTER BOX	CODE	L1	L2	Z
12	10	200	ZC0001012012000	33	34	15
15	10	200	ZC0001015015000	40	42	18
18	10	150	ZC0001018018000	45	47	22
22	10	80	ZC0001022022000	50	52	26
28	5	40	ZC0001028028000	56	61	34
35	5	30	ZC0001035035000	68	70	42
42	1	10	ZC0001042042000	87	88	51
54	1	7	ZC0001054054000	105	107	65

Applications



HEATING



HVAC



COMPRESSED
AIR