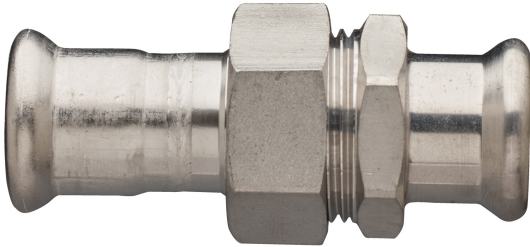
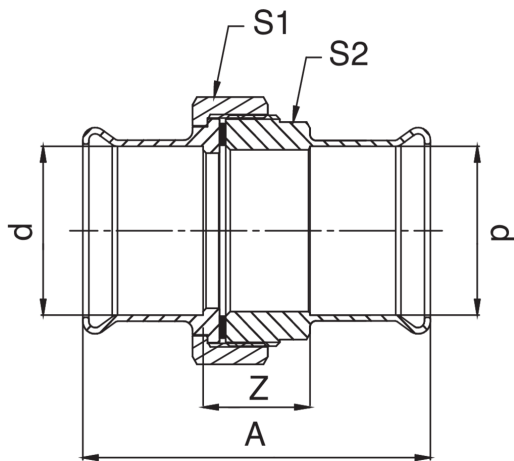


Union F/F à joint plat.



Spécifications techniques



D	BAG	MASTER BOX	CODE	A	S1	S2	Z
15	5	100	MX0340015015000	85	24	25	46
18	5	100	MX0340018018000	95	30	30	56
22	5	40	MX0340022022000	97	37	34	52
28	5	30	MX0340028028000	91	46	45	46
35	1	20	MX0340035035000	120	52	50	69
42	1	10	MX0340042042000	134	64	60	75
54	1	8	MX0340054054000	144	85	75	75

Applications



DRINKING
WATER



HEATING



HVAC



COMPRESSED
AIR



FIREFIGHTING



MARINE



STEAM



SOLAR



INDUSTRIAL