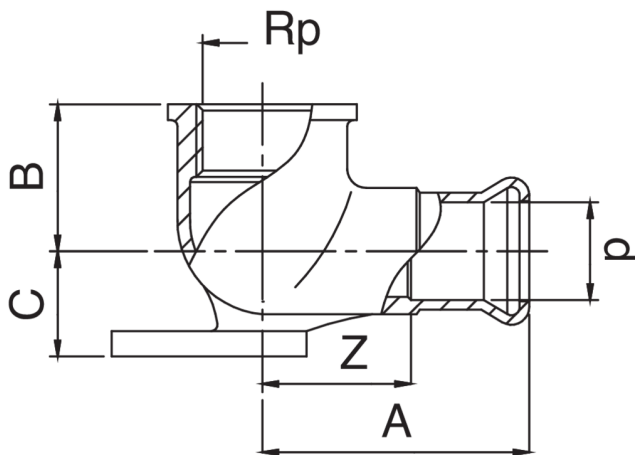




Applique coude F/filetage femelle.



Spécifications techniques



D X RP	BAG	MASTER BOX	CODE	A	B	C	Z
15 x 1/2"	5	70	MXF472A12015000	46	31	12	26,5
18 x 1/2"	5	50	MXF472A12018000	47	32	13	27,5
22 x 1/2"	5	30	MXF472A12022000	48	32	13	25,5
22 x 3/4"	5	40	MXF472A34022000	52	35	16	29,5
28 x 1"	5	10	MXF472B01028000	56	38	21	33,5

Applications

