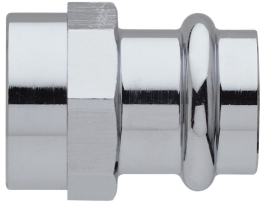
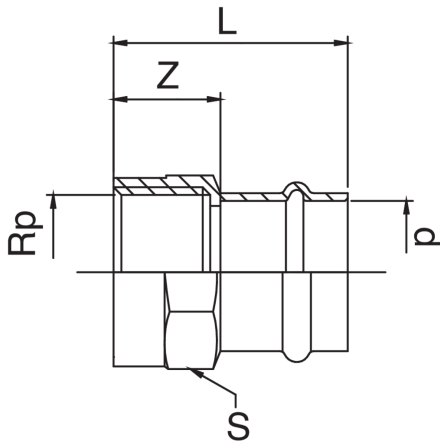


Manchon F/filetage femelle en bronze.



Spécifications techniques



D X RP	BAG	MASTER BOX	CODE	L	S	Z
12 x 3/8"	10	250	RK8270A38012000	35	25	5
12 x 1/2"	10	200	RK8270A12012000	36	25	3
15 x 3/8"	10	200	RK8270A38015000	36	25	2
15 x 1/2"	10	200	RK8270A12015000	40	25	3
18 x 1/2"	10	150	RK8270A12018000	41	27	3
18 x 3/4"	10	100	RK8270A34018000	44	31	4
22 x 1/2"	10	150	RK8270A12022000	41	32	2
22 x 3/4"	10	100	RK8270A34022000	46	32	5
22 x 1"	5	80	RK8270B01022000	47	38	4

Applications

