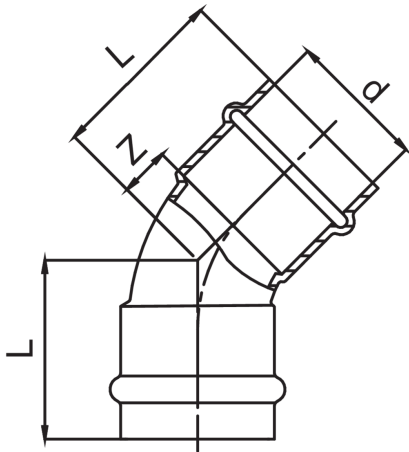




Courbe 45° F/F en cuivre.



Spécifications techniques



| D | BAG | MASTER BOX | CODE | L | Z |
|----|-----|------------|-----------------|----|----|
| 12 | 10 | 250 | RK9041012012000 | 25 | 7 |
| 15 | 10 | 200 | RK9041015015000 | 29 | 7 |
| 18 | 10 | 150 | RK9041018018000 | 31 | 8 |
| 22 | 10 | 80 | RK9041022022000 | 34 | 10 |

Applications

