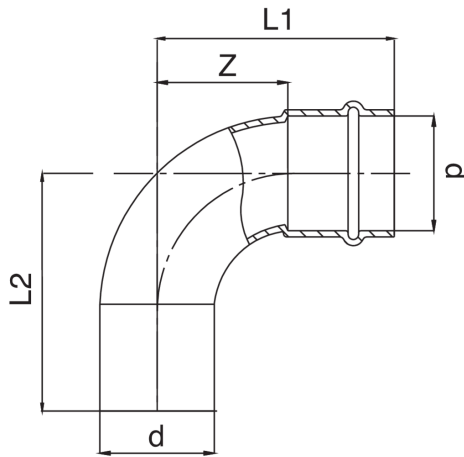




Courbe 90° M/F en cuivre.

Spécifications techniques



D	BAG	MASTER BOX	CODE	L1	L2	Z
15	10	200	HT9001015015000	40	42	18
18	10	150	HT9001018018000	45	47	22
22	10	80	HT9001022022000	51	52	27
28	5	40	HT9001028028000	59	61	34
35	5	30	HT9001035035000	68	70	42

Applications



SOLAR



STEAM



COMPRESSED
AIR



INDUSTRIAL