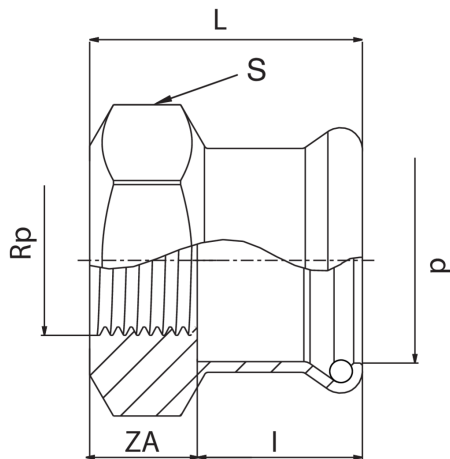


Manchon F/filetage femelle en bronze.



Spécifications techniques



D X RP	BAG	MASTER BOX	CODE	I	L	S	ZA
12 x 3/8"	10	250	QM8270A38012000	19	30,5	20	11,5
12 x 1/2"	10	200	QM8270A12012000	19,5	34,5	24	15
15 x 3/8"	10	200	QM8270A38015000	21	32,5	20	11,5
15 x 1/2"	10	150	QM8270A12015000	21,5	36,5	24	15
15 x 3/4"	10	200	QM8270A34015000	22	38,5	31	16,5
18 x 1/2"	10	150	QM8270A12018000	21,5	36,5	24	15
18 x 3/4"	10	100	QM8270A34018000	23	39,5	31	16,5
22 x 1/2"	10	100	QM8270A12022000	23	37	27	14
22 x 3/4"	10	100	QM8270A34022000	24,5	41	31	16,5
22 x 1"	5	80	QM8270B01022000	25	44	38	19
28 x 3/4"	5	60	QM8270A34028000	23	38,5	32	15,5
28 x 1"	5	50	QM8270B01028000	25	44	38	19
35 x 1"	5	40	QM8270B01035000	27	46	40	19
35 x 1"1/4	5	30	QM8270B14035000	27	50	48	23
42 x 1"1/2	5	25	QM8270B12042000	32	54	56	22
54 x 2"	1	15	QM8270C02054000	37	63	68	26

Applications



COMPRESSED
AIR



GAS



INDUSTRIAL