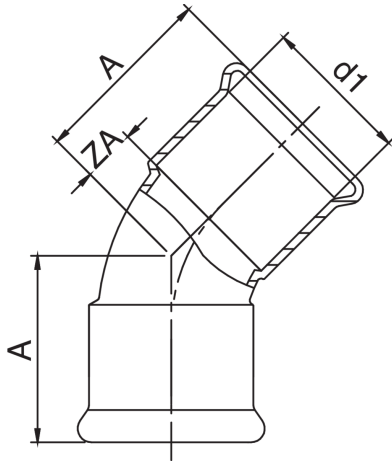




Courbe 45° F/F en cuivre.

Spécifications techniques



| D1 | BAG | MASTER BOX | CODE | A | ZA |
|----|-----|------------|-----------------|----|----|
| 12 | 10 | 250 | QM9041012012000 | 23 | 5 |
| 15 | 10 | 200 | QM9041015015000 | 28 | 8 |
| 18 | 10 | 150 | QM9041018018000 | 29 | 9 |
| 22 | 10 | 80 | QM9041022022000 | 34 | 11 |
| 28 | 5 | 60 | QM9041028028000 | 37 | 14 |
| 35 | 5 | 40 | QM9041035035000 | 44 | 18 |
| 42 | 5 | 20 | QM9041042042000 | 51 | 21 |
| 54 | 1 | 10 | QM9041054054000 | 62 | 27 |

Applications



COMPRESSED
AIR



GAS



INDUSTRIAL