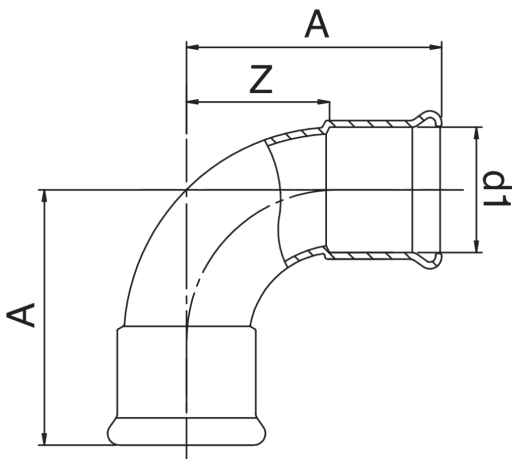




Courbe 90° F/F en cuivre.

Spécifications techniques



| D1 | BAG | MASTER BOX | CODE | A | Z |
|----|-----|------------|-----------------|----|----|
| 12 | 10 | 250 | QM9002012012000 | 31 | 13 |
| 15 | 10 | 150 | QM9002015015000 | 36 | 16 |
| 18 | 10 | 100 | QM9002018018000 | 41 | 21 |
| 22 | 10 | 60 | QM9002022022000 | 46 | 23 |
| 28 | 5 | 40 | QM9002028028000 | 57 | 34 |
| 35 | 5 | 20 | QM9002035035000 | 62 | 36 |
| 42 | 1 | 10 | QM9002042042000 | 76 | 46 |
| 54 | 1 | 7 | QM9002054054000 | 94 | 59 |

Applications



COMPRESSED
AIR



GAS



INDUSTRIAL