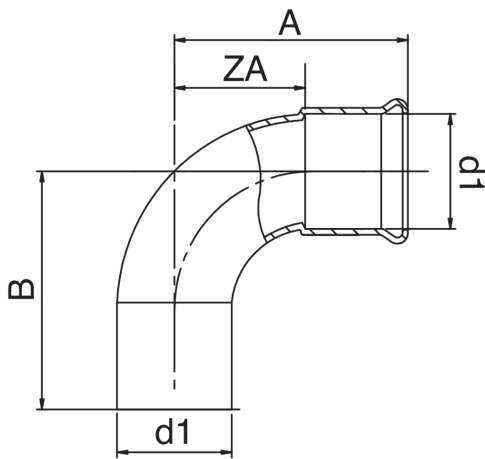




Courbe 90° M/F en cuivre.

## Spécifications techniques



D1	BAG	MASTER BOX	CODE	A	B	ZA
12	10	300	QM9001012012000	31	40	13
15	10	200	QM9001015015000	36	42	16
18	10	150	QM9001018018000	41	50	21
22	10	80	QM9001022022000	46	53	23
28	5	40	QM9001028028000	57	60	34
35	5	30	QM9001035035000	62	75	36
42	1	10	QM9001042042000	76	94	46
54	1	7	QM9001054054000	94	110	59

## Applications



COMPRESSED  
AIR



GAS



INDUSTRIAL