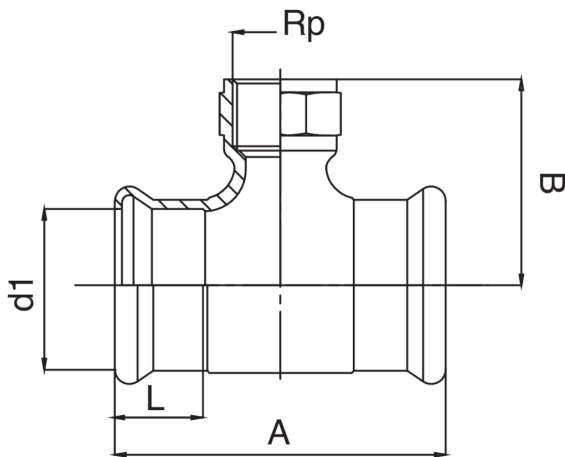


Té F/filetage femelle/F en bronze.



Spécifications techniques



D1 X RP	BAG	MASTER BOX	CODE	A	B	L
12 x 1/2"	10	100	ZM8130012A12012	72	20,5	15,5
15 x 3/8"	10	80	ZM8130015A38015	43	22	19,5
15 x 1/2"	10	80	ZM8130015A12015	65	21,5	19,5
18 x 1/2"	10	60	ZM8130018A12018	78	25	19,5
22 x 1/2"	5	50	ZM8130022A12022	77	25	22,5
22 x 3/4"	5	40	ZM8130022A34022	80	45	22,5
28 x 1/2"	5	25	ZM8130028A12028	92	51	22,5
28 x 3/4"	5	20	ZM8130028A34028	92	52	22,5
28 x 1"	5	25	ZM8130028B01028	90	34	22,5
35 x 1/2"	5	20	ZM8130035A12035	84	40	22,5
42 x 1/2"	1	10	ZM8130042A12042	95	44,5	29,5
54 x 1/2"	1	10	ZM8130054A12054	103	53	34,5

Applications



DRINKING
WATER



HEATING



HVAC



COMPRESSED
AIR



FIREFIGHTING