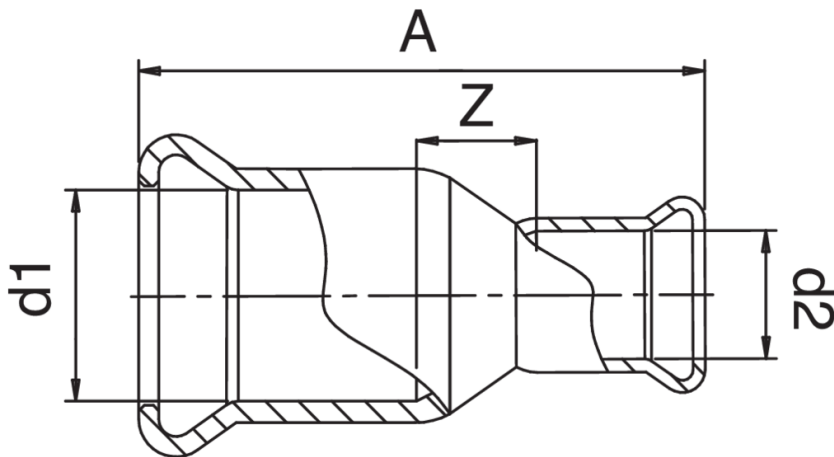




Réduction F/F en cuivre.



Spécifications techniques



D1 X D2	BAG	MASTER BOX	CODE	A	Z
15 x 12	10	300	ZM9240015012000	42	4
18 x 15	10	200	ZM9240018015000	45	5
22 x 15	10	150	ZM9240022015000	48	5
22 x 18	10	130	ZM9240022018000	49	6
28 x 15	10	100	ZM9240028015000	53	10
28 x 22	10	80	ZM9240028022000	51	5
35 x 28	5	50	ZM9240035028000	56	7
42 x 35	5	30	ZM9240042035000	63	7
54 x 42	5	20	ZM9240054042000	75	10

Applications

