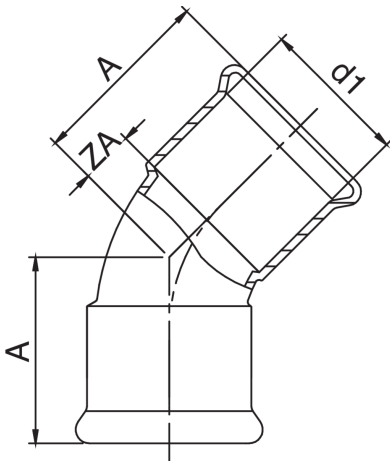




Courbe 45° F/F en cuivre.



## Spécifications techniques



D1	BAG	MASTER BOX	CODE	A	ZA
12	10	250	ZM9041012012000	23	5
15	10	200	ZM9041015015000	28	8
18	10	150	ZM9041018018000	29	9
22	10	80	ZM9041022022000	34	11
28	5	60	ZM9041028028000	37	14
35	5	40	ZM9041035035000	44	18
42	5	20	ZM9041042042000	51	21
54	1	10	ZM9041054054000	62	27

## Applications



DRINKING  
WATER



HEATING



HVAC



COMPRESSED  
AIR



FIREFIGHTING