

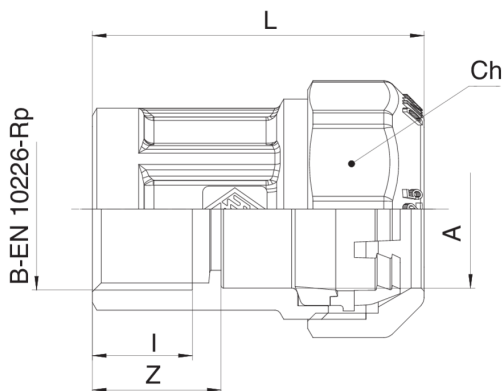
560100

Raccord droit femelle avec bague de butée en POM.



NEW

Spécifications techniques



| A x B | BOX | MASTER BOX | CODE | I | CH | L | Z |
|-------------------------|-----|------------|-------------|------|----|------|------|
| 20 x 1/2" | 30 | 120 | 5601002004 | 15 | 34 | 47 | 19,5 |
| 25 x 1/2" ² | 25 | 100 | 5601002504 | 15 | 41 | 56 | 17 |
| 25 x 3/4" | 20 | 80 | 5601002505 | 16,3 | 41 | 55,5 | 21 |
| 32 x 3/4" ² | 20 | 80 | 5601003205 | 16,3 | 51 | 61 | 18,5 |
| 32 x 1" | 16 | 64 | 5601003206 | 19,1 | 51 | 62 | 24,5 |
| 40 x 1" ² | 10 | 40 | 5601004006 | 19,1 | 59 | 72 | 22 |
| 40 x 1"1/4 | 10 | 40 | 5601004007 | 21,4 | 59 | 73 | 27,5 |
| 50 x 1"1/4 ² | 6 | 24 | 5601005007 | 21,4 | 70 | 81 | 25 |
| 50 x 1"1/2 | 6 | 24 | 5601005008 | 21,4 | 70 | 76 | 29,5 |
| 63 x 2" | 8 | 16 | 5601006310 | 25,7 | 87 | 85 | 33,5 |
| 75 x 2"1/2 ¹ | 1 | 4 | 5601007512 | 25 | - | 90 | 30 |
| 90 x 3" ¹ | 1 | 4 | 5601009014 | 26 | - | 105 | 32 |
| 110 x 4" ^{1 3} | 1 | 2 | 57010011018 | 30 | - | 115 | 37 |

¹ With flange. - ² Reduced.

³ Art. 570100.

Applications



DRINKING
WATER



GAS