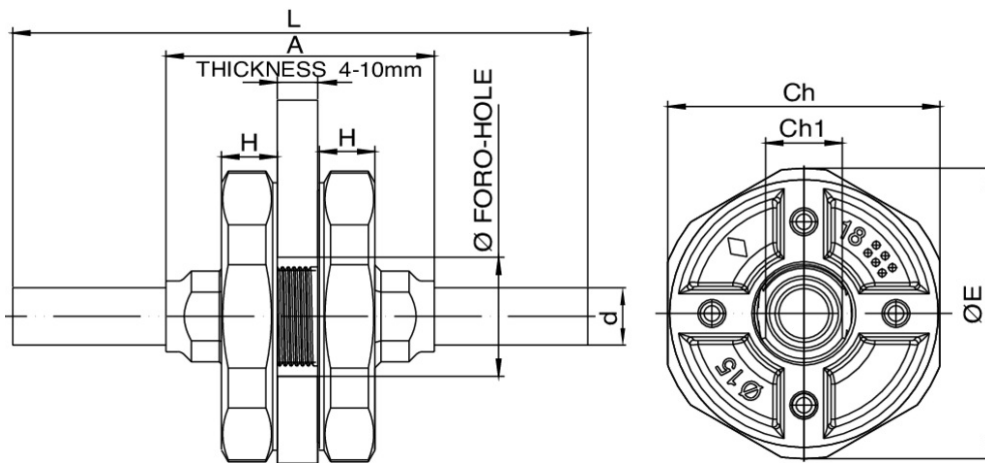


Passage étanche pont/cloison, ininflammable en classe A30/60.

## Spécifications techniques



D	MASTER BOX	CODE	A	ØE	CH	CH1	H	L	PN	Ø HOLE
15	4	MX038015015000	70	76	71	20	14,5	735	16	29
22	4	MX0381022022000	75	84	79	26,5	15	740	16	36
28	4	MX0381028028000	77	93	87	33	15,5	740	16	42
35	3	MX0381035035000	80	100	94	40	16	750	16	49
42	3	MX0381042042000	81	108	101	47	16,5	760	16	56
54	3	MX0381054054000	82	126	117	60	18	770	16	69

For the insulation, please refer to technical manual or contact our sales department.

## Applications



DRINKING  
WATER



HEATING



HVAC



COMPRESSED  
AIR



FIREFIGHTING



MARINE



STEAM



SOLAR



INDUSTRIAL