

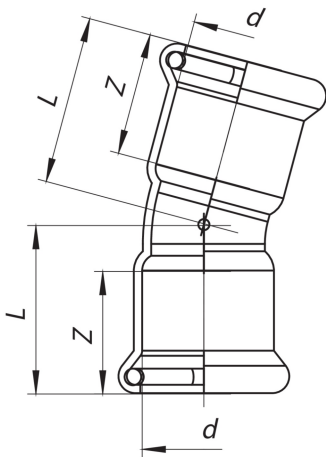


Courbe 15° F/F.

**NEW**



## Spécifications techniques



D	BAG	MASTER BOX	CODE	L	Z
76,1	1	6	AX0043076076000	77,5	54
88,9	1	6	AX0043089089000	86	61
108	1	3	AX0043108108000	109,3	76

## Applications



DRINKING  
WATER



HEATING



HVAC



COMPRESSED  
AIR



FIREFIGHTING



MARINE



STEAM



SOLAR



INDUSTRIAL