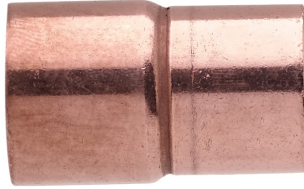
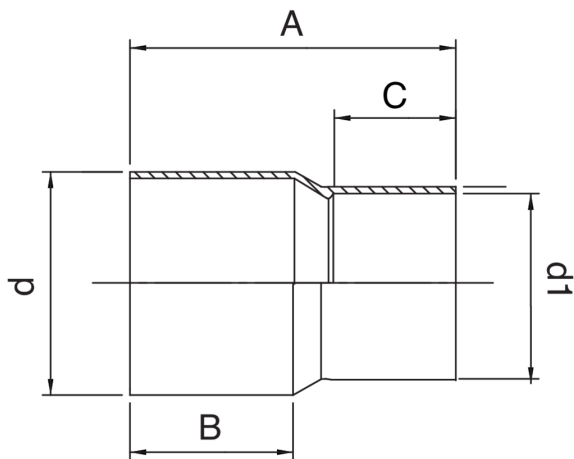


FR5243

Réduction M/F.



Spécifications techniques



D X D1	BAG	MASTER BOX	CODE	A	B MIN	C MIN
3/8" x 1/4"	10	50	FR5243A38A14000	35	18	12,7
1/2" x 1/4"	5	100	FR5243A12A14000	23	11,2	6,4
1/2" x 3/8"	5	250	FR5243A12A38000	22	11,2	7,9
5/8" x 3/8"	10	500	FR5243A58A38000	26	14,2	7,9
5/8" x 1/2"	10	200	FR5243A58A12000	27	14,2	9,7
3/4" x 3/8"	10	100	FR5243A34A38000	31	17,5	7,9
3/4" x 1/2"	10	100	FR5243A34A12000	32	17,5	9,7
3/4" x 5/8"	10	100	FR5243A34A58000	33	17,5	12,7
7/8" x 5/8"	10	200	FR5243A78A58000	38	20,6	12,7
7/8" x 3/4"	10	200	FR5243A78A34000	39	20,6	15,8
1" x 3/4"	5	120	FR5243B01A34000	47	23,5	15,8
1" x 7/8"	5	100	FR5243B01A78000	48,5	23,5	19,1
1 1/8" x 3/4"	5	40	FR5243B18A34000	47	24,6	15,8
1 1/8" x 7/8"	5	100	FR5243B18A78000	48,5	24,6	19,1
1 3/8" x 1 1/8"	5	120	FR5243B38B18000	56	26,2	23,1
1 5/8" x 1 1/8"	5	50	FR5243B58B18000	62	29,5	23,1
1 5/8" x 1 3/8"	5	40	FR5243B58B38000	62	29,5	24,6
2 1/8" x 1 1/8"	5	30	FR5243C18B18000	67	35,8	23,1
2 1/8" x 1 5/8"	5	30	FR5243C18B58000	71	35,8	27,7
2 5/8" x 2 1/8"	1	25	FR5243C58C18000	86	39	34
4 1/8" x 3 5/8"	1	10	FR5243E18D58000	122	56,4	48,5

Applications



REFRIGERATION

