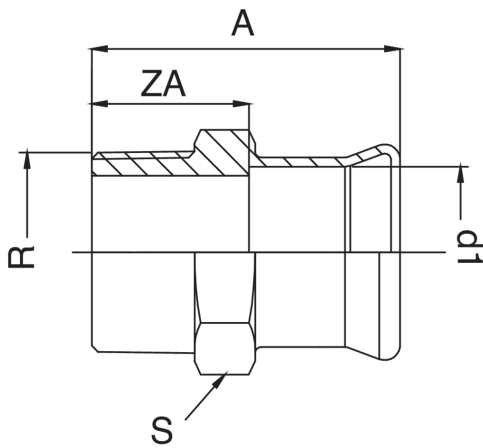


Manchon F/filetage mâle.

## Spécifications techniques



D1 X R	BAG	MASTER BOX	CODE	A	S	ZA
15 x 1/2"	10	50	GMF243A12015000	43	25	21,5
18 x 1/2"	10	150	GMF243A12018000	44	25	21,5
22 x 1/2"	5	100	GMF243A12022000	45	32	21,5
22 x 3/4"	10	50	GMF243A34022000	46	32	22,5
22 x 1"	10	50	GMF243B01022000	55	38	31,5
28 x 1"	5	50	GMF243B01028000	57	38	32,5
35 x 1"	5	40	GMF243B01035000	60	38	34,5
35 x 1"1/2	5	60	GMF243B12035000	61	27	21,4
35 x 1"1/4	5	40	GMF243B14035000	60	50	34,5
42 x 1"1/2	1	20	GMF243B12042000	72	55	36,5
54 x 2"	1	15	GMF243C02054000	83	64	43,5

## Applications



GAS



COMPRESSED  
AIR



INDUSTRIAL