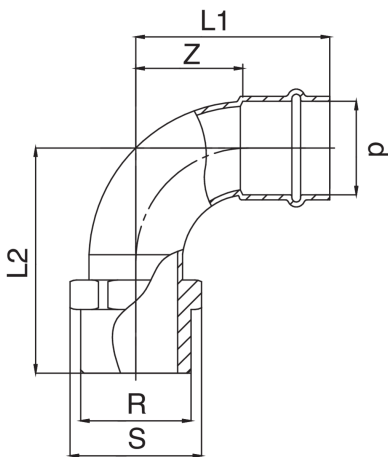




Coude 90° F/filetage mâle.



## Spécifications techniques



D X R	BAG	MASTER BOX	CODE	L1	L2	S	Z
15 x 1/2"	5	30	ZXF92LA12015000	53	45	25	31
18 x 1/2"	5	30	ZXF92LA12018000	65	56	24	36
22 x 1/2"	5	60	ZXF92LA12022000	61	58	25	37
22 x 3/4"	5	20	ZXF92LA34022000	64	60	30	40
28 x 1"	5	15	ZXF92LB01028000	83	75	38	50
35 x 1"1/4	1	10	ZXF92LB14035000	92	87	45	66
42 x 1"1/2	1	10	ZXF92LB12042000	111	102	50	75
54 x 2"	1	5	ZXF92LC02054000	142	120	70	91

## Applications



DRINKING  
WATER



HEATING



HVAC



COMPRESSED  
AIR



FIREFIGHTING



MARINE



STEAM



SOLAR



INDUSTRIAL