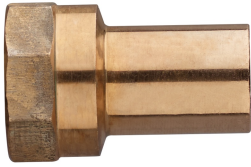
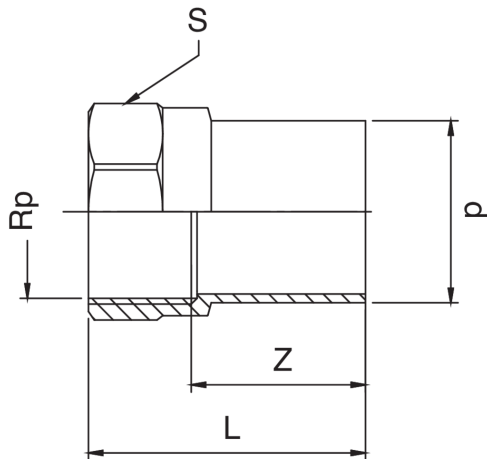


Manchon M/filetage femelle en bronze.



Spécifications techniques



D X RP	BAG	MASTER BOX	CODE	L	S	Z
12 x 3/8"	10	200	RS8272A38012000	37	21	25
12 x 1/2"	10	200	RS8272A12012000	41	25	26
15 x 3/8"	10	200	RS8272A38015000	41	21	29
15 x 1/2"	10	200	RS8272A12015000	45	25	30
18 x 1/2"	10	150	RS8272A12018000	46	25	31
18 x 3/4"	10	100	RS8272A34018000	48	31	31
22 x 1/2"	10	100	RS8272A12022000	47	25	32
22 x 3/4"	10	80	RS8272A34022000	49	31	32
28 x 1"	5	40	RS8272B01028000	54	38	34
35 x 1"1/4	5	20	RS8272B14035000	57	48	35
42 x 1"1/2	5	20	RS8272B12042000	68	55	46
54 x 2"	1	10	RS8272C02054000	76	68	50

Applications

