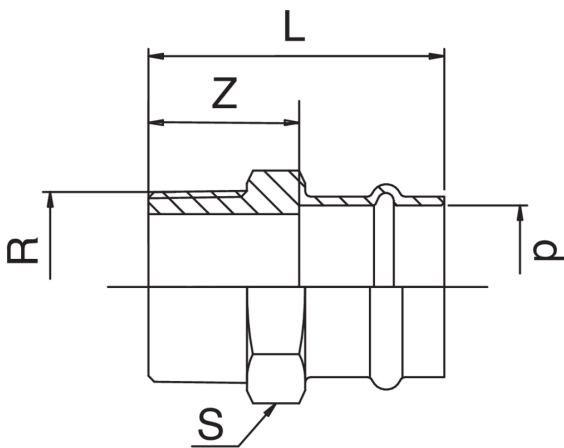


Manchon F/filetage mâle.



## Spécifications techniques



D X R	BAG	MASTER BOX	CODE	L	S	Z
12 x 3/8"	10	100	ZCF243A38012000	34	19	16
12 x 1/2"	10	100	ZCF243A12012000	38	19	20
15 x 3/8"	10	100	ZCF243A38015000	39	25	17
15 x 1/2"	10	150	ZCF243A12015000	43	25	21
18 x 1/2"	10	150	ZCF243A12018000	44	27	21
18 x 3/4"	10	100	ZCF243A34018000	45	27	22
22 x 1/2"	10	100	ZCF243A12022000	45	32	21
22 x 3/4"	10	100	ZCF243A34022000	46	32	22
22 x 1"	5	50	ZCF243B01022000	55	34	31
28 x 3/4"	5	70	ZCF243A34028000	57	32	32
28 x 1"	5	50	ZCF243B01028000	57	34	32
35 x 1"	5	40	ZCF243B01035000	60	38	34
35 x 1"1/4	5	40	ZCF243B14035000	60	42	34
35 x 1"1/2	5	20	ZCF243B12035000	62	48	36
42 x 1"1/2	5	20	ZCF243B12042000	72	50	36
54 x 2"	1	10	ZCF243C02054000	83	60	43

The big-size, item ACF243 is available.

# Applications



HEATING



HVAC



COMPRESSED  
AIR