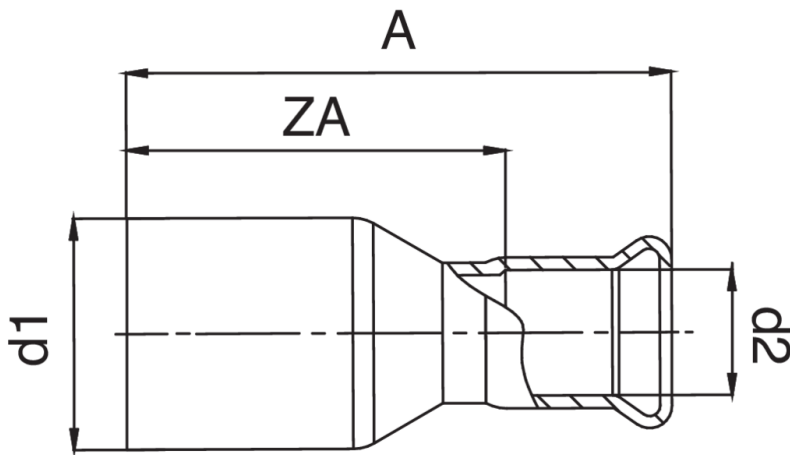


Spécifications techniques



D1 X D2	BAG	MASTER BOX	CODE	A	ZA
88,9 x 76,1*	5	5	AC0243089076000	182	127
108 x 76,1*	1	10	AC0243108076000	265	210
108 x 88,9*	1	6	AC0243108089000	249,5	189,5

Applications



HEATING



HVAC



COMPRESSED
AIR