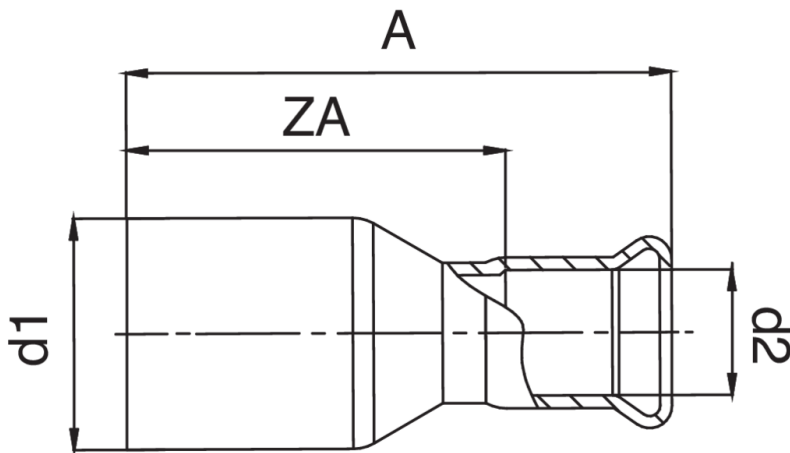


## Spécifications techniques



| D1 X D2   | BAG | MASTER BOX | CODE            | L     | Z     |
|-----------|-----|------------|-----------------|-------|-------|
| 76.1 x 42 | 1   | 20         | AC0243076042000 | 149,5 | 108,5 |
| 76.1 x 54 | 1   | 5          | AC0243076054000 | 152,5 | 107,5 |
| 88.9 x 54 | 1   | 16         | AC0243089054000 | 194   | 149   |
| 108 x 54  | 1   | 8          | AC0243108054000 | 260   | 215   |

## Applications



HEATING



HVAC



COMPRESSED  
AIR