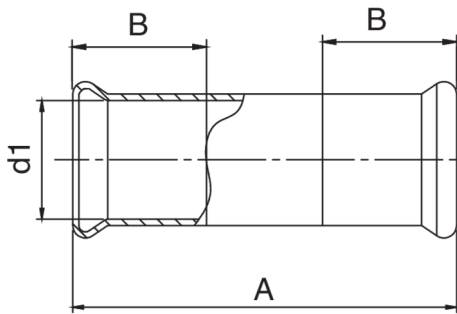


Spécifications techniques



D1	BAG	MASTER BOX	CODE	A
76,1"	1	8	AC0271076076000	242
88,9"	1	6	AC0271089089000	272
108"	1	3	AC0271108108000	324

Applications



HEATING



HVAC



COMPRESSED
AIR