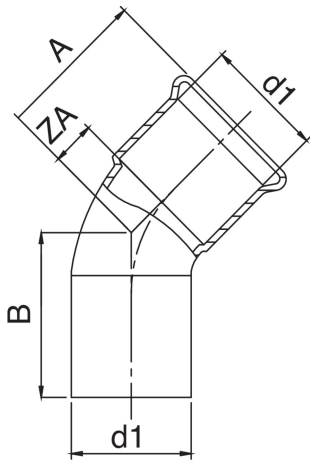




## Spécifications techniques



| D1    | BAG | MASTER BOX | CODE            | A   | B   | ZA |
|-------|-----|------------|-----------------|-----|-----|----|
| 76,1" | 1   | 10         | AC0040076076000 | 93  | 104 | 38 |
| 88,9" | 1   | 6          | AC0040089089000 | 104 | 115 | 44 |
| 108"  | 1   | 2          | AC0040108108000 | 124 | 136 | 68 |

## Applications



HEATING



HVAC



COMPRESSED  
AIR