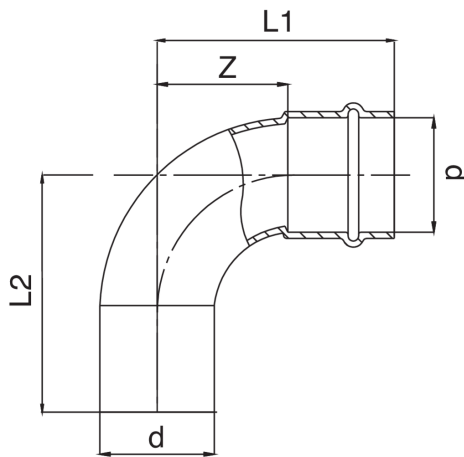




Courbe 90° M/F.



Spécifications techniques



| D | BAG | MASTER BOX | CODE | L1 | L2 | Z |
|----|-----|------------|-----------------|-----|-----|----|
| 12 | 10 | 200 | ZC0001012012000 | 33 | 34 | 15 |
| 15 | 10 | 200 | ZC0001015015000 | 40 | 42 | 18 |
| 18 | 10 | 150 | ZC0001018018000 | 45 | 47 | 22 |
| 22 | 10 | 80 | ZC0001022022000 | 50 | 52 | 26 |
| 28 | 5 | 40 | ZC0001028028000 | 56 | 61 | 34 |
| 35 | 5 | 30 | ZC0001035035000 | 68 | 70 | 42 |
| 42 | 1 | 10 | ZC0001042042000 | 87 | 88 | 51 |
| 54 | 1 | 7 | ZC0001054054000 | 105 | 107 | 65 |

The big-size, item AC0001, is available.

Applications



HEATING



HVAC



COMPRESSED
AIR