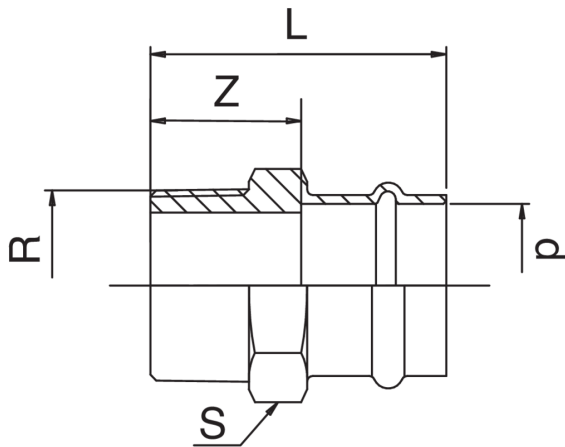


Manchon F/filetage mâle.



Spécifications techniques



D x R	BAG	MASTER BOX	CODE	L	S	Z
15 x 1/2"	10	50	ZXF243A12015000	43	23	21
18 x 1/2"	10	150	ZXF243A12018000	62	22	21
18 x 3/4"	10	30	ZXF243A34018000	49	30	26
22 x 1/2"	5	100	ZXF243A12022000	46	31	20
22 x 3/4"	10	100	ZXF243A34022000	47	31	21
22 x 1"	10	50	ZXF243B01022000	55	34	31
28 x 3/4"	5	70	ZXF243A34028000	47	32	22
28 x 1"	5	50	ZXF243B01028000	49	36	24
35 x 1"	5	40	ZXF243B01035000	70	36	52
35 x 1 1/4	5	40	ZXF243B14035000	81	45	55
42 x 1 1/2	1	20	ZXF243B12042000	86	48	51
54 x 2"	1	15	ZXF243C02054000	100	60	60

The big-size, item AXF243, is available.

Applications

