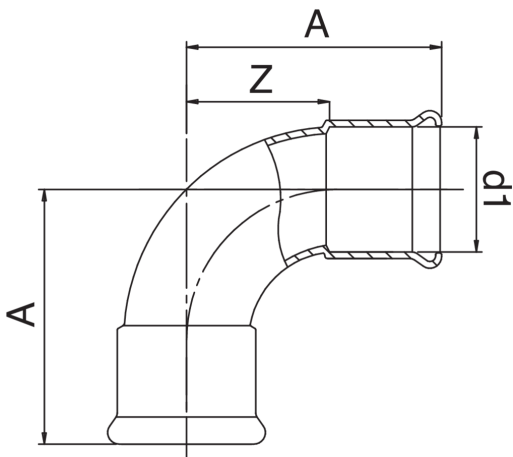




## Spécifications techniques



D1	BAG	MASTER BOX	CODE	A	Z
76,1*	1	5	AX0002076076000	148	93
88,9*	1	4	AX0002089089000	174	111
108*	1	2	AX0002108108000	215	138

## Applications

