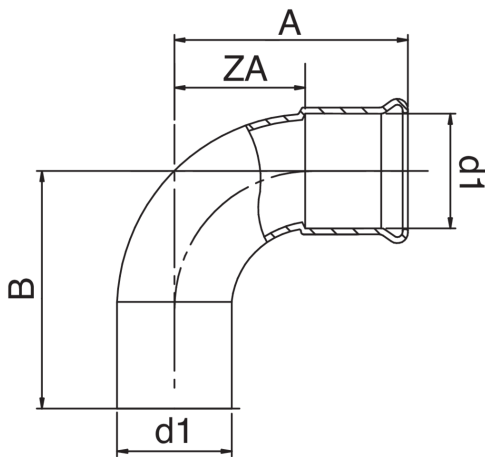




## Spécifications techniques



D1	BAG	MASTER BOX	CODE	A	B	ZA
76,1*	1	5	AX0001076076000	148	154	93
88,9*	1	4	AX0001089089000	174	190	111
108*	1	2	AX0001108108000	215	238	138

## Applications



DRINKING  
WATER



HEATING



HVAC



COMPRESSED  
AIR



FIREFIGHTING



MARINE



STEAM



SOLAR



INDUSTRIAL