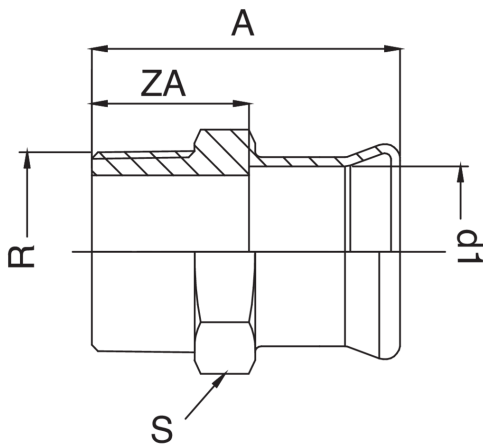


Spécifications techniques



D1 X R	BAG	MASTER BOX	CODE	A	S	ZA
64" x 2"1/2	1	10	RB8243C12064000	93	76	45
76,1" x 2"1/2	1	8	RB8243C12076000	98	86	46
76,1" x 3"	1	8	RB8243D03076000	101	90	48
88,9" x 3"	1	5	RB8243D03089000	109	98	51
108" x 4"	1	3	RB8243E04108000	132	122	59

Applications



DRINKING
WATER



HEATING



HVAC



GAS



COMPRESSED
AIR



FIREFIGHTING