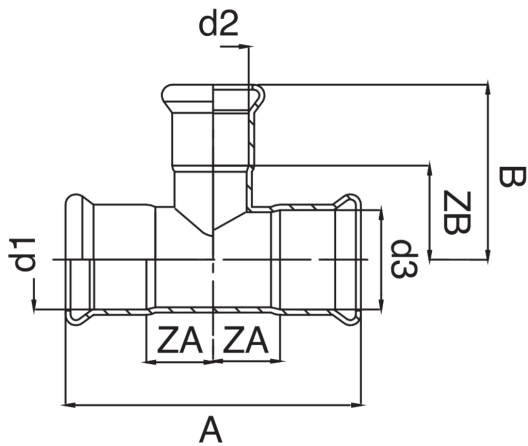




Spécifications techniques



D1 X D2 X D3	BAG	MASTER BOX	CODE	A	B	ZA	ZB
76,1" x 22" x 76,1"	1	5	ZM9131076022076	148	62	48	41
76,1" x 28" x 76,1"	1	4	ZM9131076028076	152	65	52	42
76,1" x 35" x 76,1"	1	4	ZM9131076035076	160	67	60	41
76,1" x 42" x 76,1"	1	4	ZM9131076042076	172	80	72	50
76,1" x 54" x 76,1"	1	5	ZM9131076054076	218	85	118	50

Applications



DRINKING
WATER



HEATING



HVAC



GAS



COMPRESSED
AIR



FIREFIGHTING