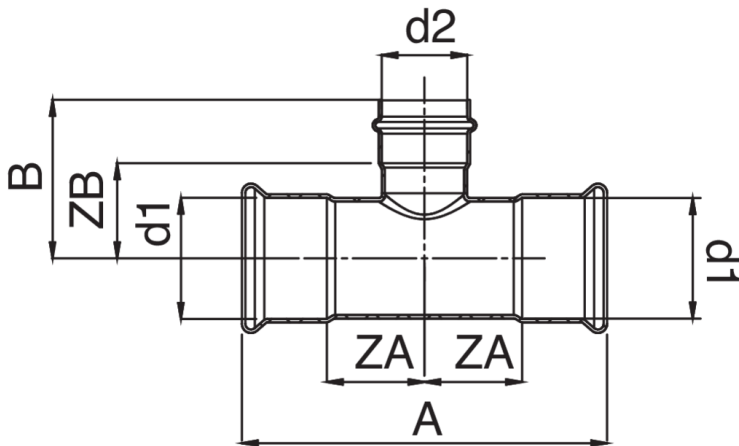


Té réduit F/F/F en cuivre.



Spécifications techniques



| D1 X D2 X D1 | BAG | MASTER BOX | CODE | A | B | ZA | ZB |
|-----------------------|-----|------------|-----------------|-----|-----|----|----|
| 76.1" x 54 x 76.1" | 1 | 5 | RR9131076054076 | 242 | 93 | 76 | 68 |
| 88.9" x 76.1" x 88.9" | 1 | 2 | RR9131089076089 | 272 | 126 | 76 | 68 |
| 88.9" x 54 x 88.9" | 1 | 5 | RR9131089054089 | 272 | 127 | 92 | 81 |
| 108" x 54 x 108" | 1 | 2 | RR9131108054108 | 324 | 133 | 92 | 72 |
| 108" x 76.1" x 108" | 1 | 2 | RR9131108076108 | 324 | 136 | 92 | 81 |
| 108" x 88.9" x 108" | 1 | 2 | RR9131108089108 | 324 | 142 | 92 | 72 |

* V profile

Applications

