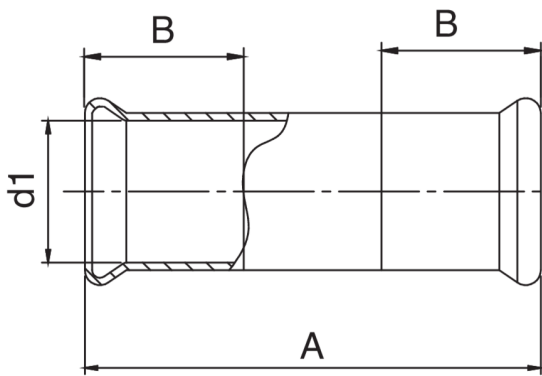




Spécifications techniques



D1	BAG	MASTER BOX	CODE	A	B
76,1*	1	8	RR9271076076000	150	55
88,9*	1	2	RR9271089089000	170	60
108*	1	2	RR9271108108000	-	70

Applications

