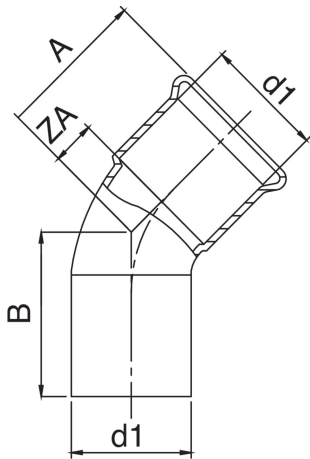




Courbe 45° M/F en cuivre.

Spécifications techniques



TAILLE	BAG	MASTER BOX	CODE	D1	A	B	ZA
76.1	1	10	RR9040076076000	76,1*	93	104	38
88.9	1	5	RR9040089089000	88,9*	104	115	44
108	1	3	RR9040108108000	108*	124	136	68

Applications



DRINKING
WATER



HEATING



HVAC



GAS



COMPRESSED
AIR



FIREFIGHTING