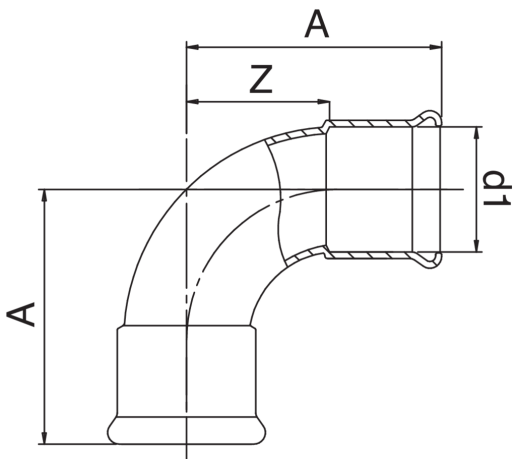




Courbe 90° F/F en cuivre.



## Spécifications techniques



D1	BAG	MASTER BOX	CODE	A	Z
76,1*	1	6	RR9002076076000	148	91
88,9*	1	5	RR9002089089000	167	107
108*	1	2	RR9002108108000	200	130

## Applications

