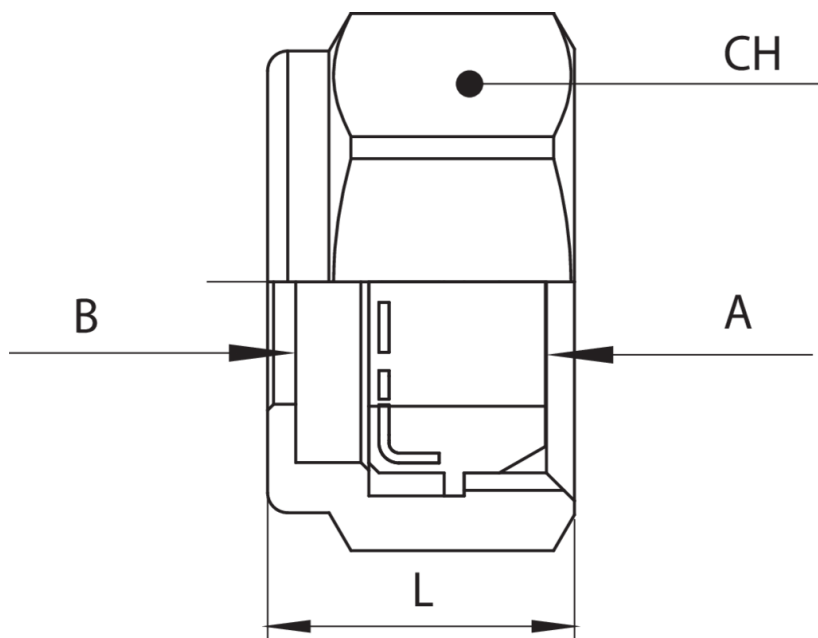


595031

Adaptador por tubo cobre.



Especificaciones técnicas



TRATTAMENTO - TREATMENT	A X B	BAG	BOX	MASTER BOX	CÓDIGO	CH	L
Nichelato - Nickel plated	10 x 1/2"	10	100	600	5950311004	24	16,3
Nichelato - Nickel plated	12 x 1/2"	10	100	600	5950311204	24	16
Nichelato - Nickel plated	14 x 1/2"	10	100	600	5950311404	24	15,5
Nichelato - Nickel plated	15 x 1/2"	10	100	600	5950311504	24	15,3
Nichelato - Nickel plated	16 x 1/2"	10	100	600	5950311604	24	14,5

Aplicaciones



DRINKING WATER



HEATING



HVAC



COMPRESSED AIR



INDUSTRIAL



MARINE