

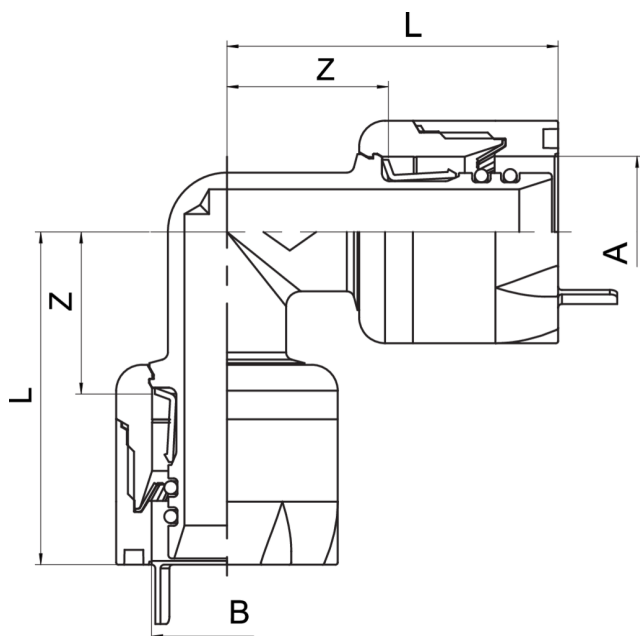
**541200**

**PATENTED**



Conexión curva doble.

## Especificaciones técnicas



| A X B   | SP | BAG | BOX | MASTER BOX | CÓDIGO   | L  | Z  |
|---------|----|-----|-----|------------|----------|----|----|
| 16 x 16 | 2  | 1   | 30  | 120        | 54120016 | 41 | 18 |
| 20 x 20 | 2  | 1   | 25  | 100        | 54120020 | 45 | 22 |
| 26 x 26 | 3  | 1   | 15  | 60         | 54120026 | 51 | 26 |

# Aplicaciones



DRINKING WATER



HEATING



HVAC



COMPRESSED AIR



INDUSTRIAL



MARINE