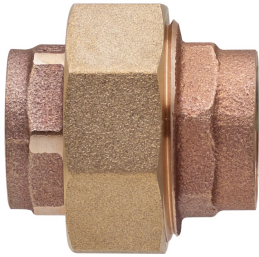
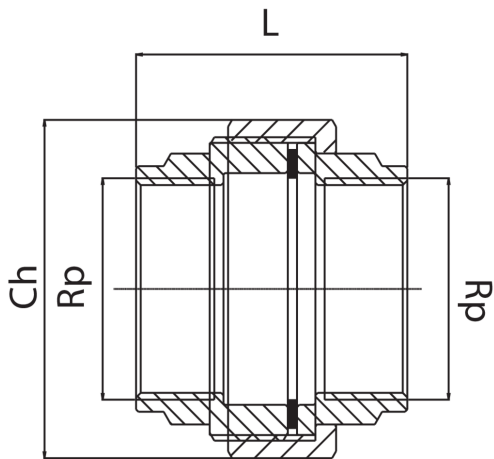


RB3330

Unión recta 3 piezas sede plana rosca hembra/hembra + junta.



Especificaciones técnicas



RP	BAG	MASTER BOX	CÓDIGO	CH	L
1/4"	5	200	RB3330A14A14000	27	38
3/8"	5	80	RB3330A38A38000	30	38
1/2"	5	80	RB3330A12A12000	37	42
3/4"	5	80	RB3330A34A34000	46	46
1"	5	40	RB3330B01B01000	52	50
1 1/4"	1	45	RB3330B14B14000	64	59
1 1/2"	1	12	RB3330B12B12000	73	60
2"	1	10	RB3330C02C02000	89	72

Aplicaciones



DRINKING
WATER



HEATING



HVAC



GAS



COMPRESSED
AIR



SOLAR



FIREFIGHTING