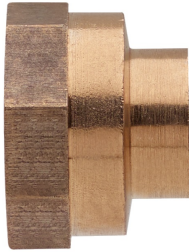
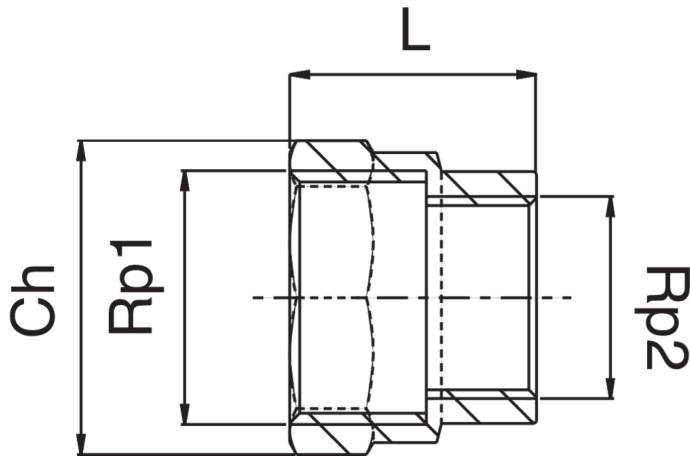


RB3240

Reducción rosca hembra/hembra.



Especificaciones técnicas



RP1 X RP2	BAG	MASTER BOX	CÓDIGO	CH	L
3/8" x 1/4"	10	300	RB3240A38A14000	21	21
1/2" x 1/4"	10	200	RB3240A12A14000	25	23
1/2" x 3/8"	10	250	RB3240A12A38000	25	23
3/4" x 3/8"	10	150	RB3240A34A38000	31	24
3/4" x 1/2"	10	150	RB3240A34A12000	31	26
1" x 1/2"	10	100	RB3240B01A12000	38	28
1" x 3/4"	10	100	RB3240B01A34000	38	29
1" 1/4 x 3/4"	5	40	RB3240B14A34000	48	29
1" 1/4 x 1"	5	50	RB3240B14B01000	48	32
1" 1/2 x 3/4"	5	50	RB3240B12A34000	55	32
1" 1/2 x 1"	5	50	RB3240B12B01000	55	35
1" 1/2 x 1" 1/4	5	40	RB3240B12B14000	55	37
2" x 1" 1/4	1	20	RB3240C02B14000	68	39
2" x 1" 1/2	1	20	RB3240C02B12000	68	40
2" 1/2 x 2"	1	100	RB3240C12C02000	84	60

Aplicaciones



DRINKING WATER



HEATING



HVAC



GAS



COMPRESSED AIR



SOLAR



FIREFIGHTING