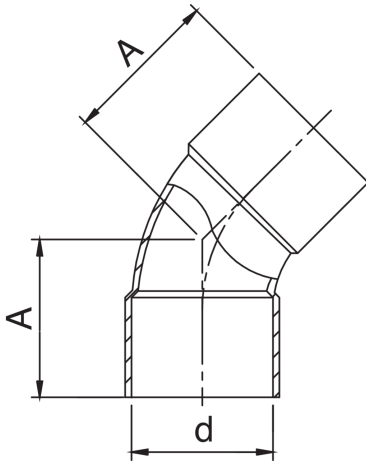


**FR5041**

Curva 45° H/H.



**Especificaciones técnicas**



D	BAG	MASTER BOX	CÓDIGO	A
1/4"	10	400	FR5041A14A14000	10
3/8"	10	100	FR5041A38A38000	12
1/2"	10	100	FR5041A12A12000	14
5/8"	10	150	FR5041A58A58000	18,5
3/4"	10	200	FR5041A34A34000	21
7/8"	10	100	FR5041A78A78000	25
1"	10	50	FR5041B01B01000	29,5
1 1/8"	10	60	FR5041B18B18000	31
1 1/4"	10	50	FR5041B14B14000	31,5
1 3/8"	5	30	FR5041B38B38000	35
1 5/8"	5	20	FR5041B58B58000	39
2 1/8"	1	10	FR5041C18C18000	49
2 5/8"	1	20	FR5041C58C58000	58

**Aplicaciones**



REFRIGERATION