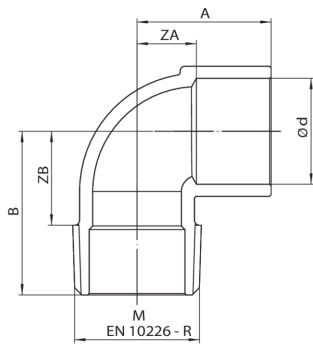


RB4092

Codo mixto 90° H/rosca macho.



Especificaciones técnicas



Ø X M	BAG	MASTER BOX	CÓDIGO	A	B	ZA	ZB
10 x 3/8"	10	200	RB4092A38010000	18	23	10,2	12
12 x 3/8"	10	250	RB4092A38012000	18	23	9,3	13,1
12 x 1/2"	10	250	RB4092A12012000	21,5	26	13,5	16
14 x 1/2"	10	250	RB4092A12014000	20	23	9,3	12,3
15 x 3/8"	10	200	RB4092A38015000	24	25	13,4	15,1
15 x 1/2"	10	200	RB4092A12015000	21,5	32,5	10,9	19,1
16 x 1/2"	10	150	RB4092A12016000	22,5	30,5	11,8	16,5
18 x 1/2"	10	150	RB4092A12018000	22	27	9	13,1
18 x 3/4"	10	100	RB4092A34018000	28	31	15,4	18
22 x 1/2"	10	100	RB4092A12022000	26	31	10,6	18,5
22 x 3/4"	10	100	RB4092A34022000	28	34	12,4	19,5
22 x 1"	5	75	RB4092B01022000	30,5	36	14,5	20
28 x 3/4"	10	100	RB4092A34028000	33	36,5	14,6	22,5
28 x 1"	10	50	RB4092B01028000	39	36,5	20,6	25
35 x 1"1/4	5	50	RB4092B14035000	43,5	46	20,5	28,7

Aplicaciones



DRINKING
WATER



HEATING



HVAC



GAS



COMPRESSED
AIR



SOLAR



INDUSTRIAL