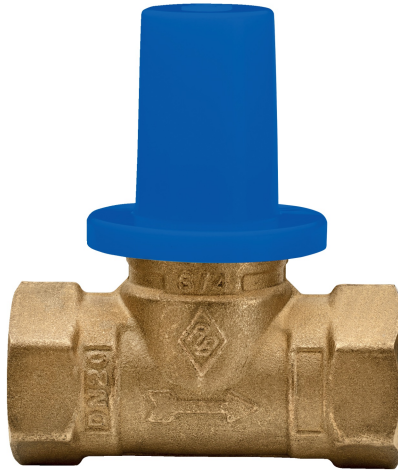


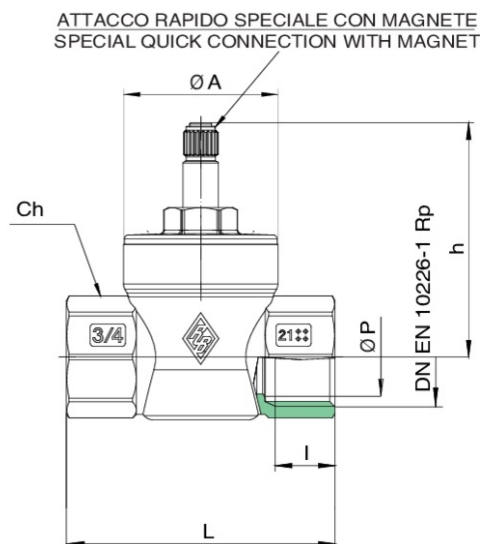
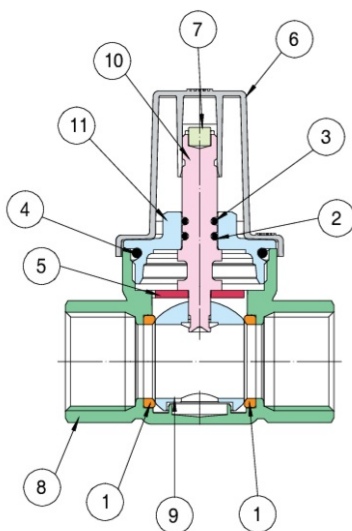
4491

Válvula esfera a embutir con esfera extractable, a paso total, roscas hembra/hembra con carter de protección.



NEW

Especificaciones técnicas



| POSICIÓN | NOMBRE DE LA PIEZA | MATERIAL | N.º PIEZAS |
|----------|--------------------|--------------------------------------|------------|
| 1 | JUNTA ESFERA | PTFE | 2 |
| 2 | O-RING | NBR | 1 |
| 3 | O-RING | FKM | 1 |
| 4 | O-RING | NBR | 1 |
| 5 | ARANDELA | STAINLESS STEEL AISI 304 | 1 |
| 6 | CARTER | POLY PROPYLENE | 1 |
| 7 | IMÁN | NEODIMIO | 1 |
| 8 | CUERPO | BRASS CW617N UNI EN 12420 | 1 |
| 9 | ESFERA | BRASS CW617 UNI EN 12420 | 1 |
| 10 | EJE | BRASS CW614N UNI EN12164-UNI EN12168 | 1 |
| 11 | ANILLO ROSCADO | BRASS CW617 UNI EN 12420 | 1 |

| TAMAÑO | DN | BOX | MASTER BOX | CÓDIGO | ØP | I | L | CH | H | ØA | KV | PN | KG |
|--------|----|-----|------------|------------|----|------|------|----|------|----|------|----|-------|
| 1/2" | 15 | 10 | 40 | 4491040000 | 15 | 15 | 63,5 | 26 | 58,5 | 32 | 16,3 | 30 | 0,245 |
| 3/4" | 20 | 10 | 20 | 4491050000 | 20 | 16,3 | 73 | 31 | 63,5 | 42 | 29,5 | 30 | 0,406 |

Temperature range: -20°C +90°C.

Aplicaciones



DRINKING
WATER



HEATING



HVAC



COMPRESSED
AIR



INDUSTRIAL



MARINE