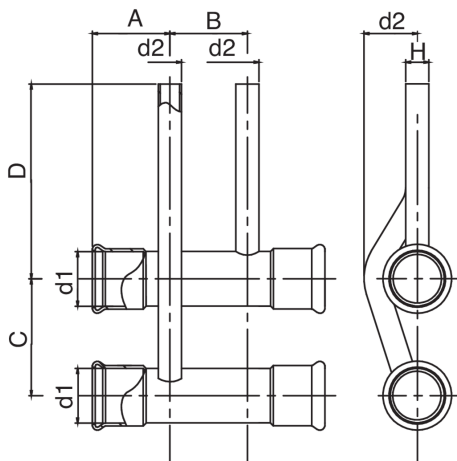


Desviación sola.



Especificaciones técnicas



| D1 X D2 | BAG | MASTER BOX | CÓDIGO | A | B | C | D | H |
|---------|-----|------------|-----------------|----|----|----|-----|----|
| 12 x 12 | 1 | 10 | ZC0350012012000 | 40 | 40 | 60 | 100 | 27 |
| 15 x 12 | 1 | 5 | ZC0350015012000 | 40 | 40 | 60 | 100 | 28 |
| 15 x 15 | 1 | 5 | ZC0350015015000 | 40 | 40 | 60 | 100 | 31 |
| 18 x 12 | 1 | 5 | ZC0350018012000 | 40 | 40 | 60 | 100 | 28 |
| 18 x 15 | 1 | 5 | ZC0350018015000 | 40 | 40 | 60 | 100 | 31 |
| 22 x 12 | 1 | 5 | ZC0350022012000 | 40 | 40 | 60 | 100 | 30 |
| 22 x 15 | 1 | 5 | ZC0350022015000 | 40 | 40 | 60 | 100 | 34 |
| 28 x 12 | 1 | 5 | ZC0350028012000 | 40 | 40 | 60 | 100 | 30 |
| 28 x 15 | 1 | 10 | ZC0350028015000 | 40 | 40 | 60 | 100 | 35 |

Aplicaciones



HEATING



HVAC



COMPRESSED
AIR