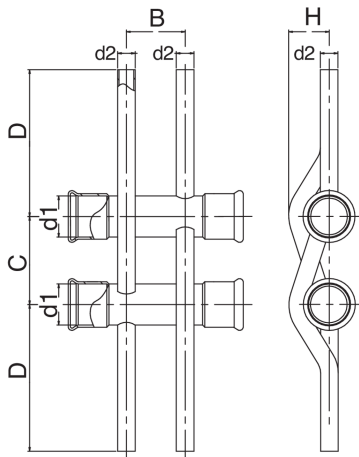


Desviación doble.



Especificaciones técnicas



| D1 X D2 | BAG | MASTER BOX | CÓDIGO | B | C | D | H |
|---------|-----|------------|-----------------|----|----|-----|----|
| 12 x 12 | 1 | 5 | ZC0360012012000 | 40 | 60 | 100 | 27 |
| 15 x 12 | 1 | 5 | ZC0360015012000 | 40 | 60 | 100 | 28 |
| 18 x 12 | 1 | 5 | ZC0360018012000 | 40 | 60 | 100 | 28 |
| 18 x 15 | 1 | 5 | ZC0360018015000 | 40 | 60 | 100 | 31 |
| 22 x 12 | 1 | 10 | ZC0360022012000 | 40 | 60 | 100 | 30 |
| 22 x 15 | 1 | 5 | ZC0360022015000 | 40 | 60 | 100 | 34 |
| 28 x 12 | 1 | 5 | ZC0360028012000 | 40 | 60 | 100 | 30 |
| 28 x 15 | 1 | 5 | ZC0360028015000 | 40 | 60 | 100 | 35 |
| 35 x 15 | 1 | 5 | ZC0360035015000 | 40 | 60 | 100 | 39 |

Aplicaciones

