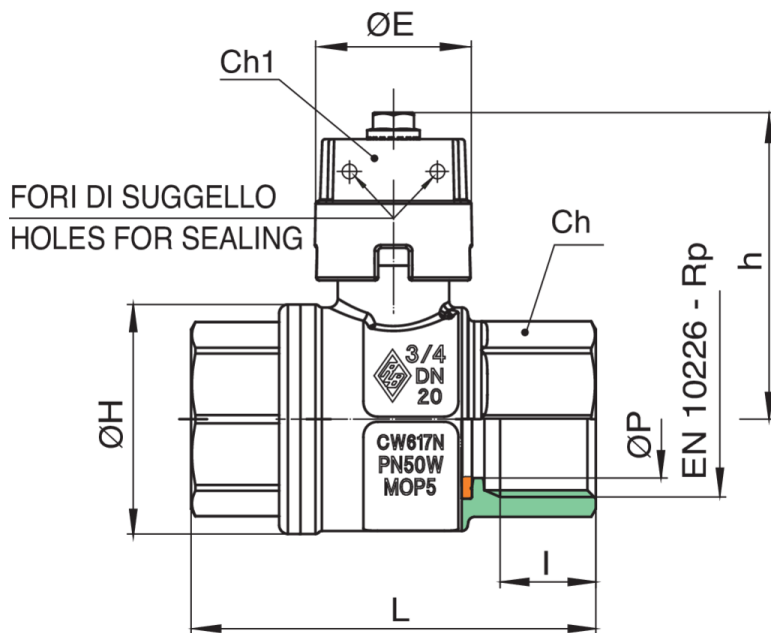


1780

Válvula esfera de paso total, hembra/hembra, con capucho cerrable.



Especificaciones técnicas



| TAMAÑO | DN | BOX | MASTER BOX | CÓDIGO | ØP | I | L | H | CH | CH1 | ØH | ØE | KV | PN | KG |
|--------|-----|-----|------------|------------|-----|------|-------|------|-----|-----|-----|------|------|----|-------|
| 1/2" | 15 | 20 | 80 | 1780040000 | 15 | 15 | 62 | 42,5 | 25 | 12 | 33 | 23,5 | 16,3 | 64 | 0,20 |
| 3/4" | 20 | 10 | 40 | 1780050000 | 20 | 16,3 | 69 | 52 | 31 | 12 | 39 | 27 | 29,5 | 50 | 0,33 |
| 1" | 25 | 10 | 20 | 1780060000 | 25 | 19,1 | 83 | 56 | 38 | 12 | 49 | 27 | 43 | 50 | 0,51 |
| 1"1/4 | 32 | 6 | 12 | 1780070000 | 32 | 21,4 | 96 | 66,5 | 48 | 12 | 59 | 32 | 89 | 50 | 0,83 |
| 1"1/2 | 40 | 4 | 8 | 1780080000 | 40 | 21,4 | 108 | 72,5 | 54 | 12 | 73 | 32 | 230 | 40 | 1,23 |
| 2" | 50 | 2 | 4 | 1780100000 | 50 | 25,7 | 127,5 | 85 | 67 | 18 | 86 | 40 | 265 | 40 | 2,00 |
| 2"1/2 | 65 | 2 | 4 | 1780120000 | 65 | 30,2 | 152 | 104 | 90 | 18 | 111 | 50 | 540 | 25 | 3,58 |
| 3" | 80 | - | 4 | 1780140000 | 80 | 33,3 | 177 | 115 | 105 | 18 | 136 | 50 | 873 | 25 | 5,79 |
| 4" | 100 | - | 2 | 1780180000 | 100 | 39,3 | 214 | 138 | 130 | 23 | 166 | 55 | 1390 | 25 | 10,24 |

Temperature range: -20°C +160°C.

Aplicaciones



DRINKING
WATER



HEATING



HVAC



COMPRESSED
AIR



INDUSTRIAL



MARINE