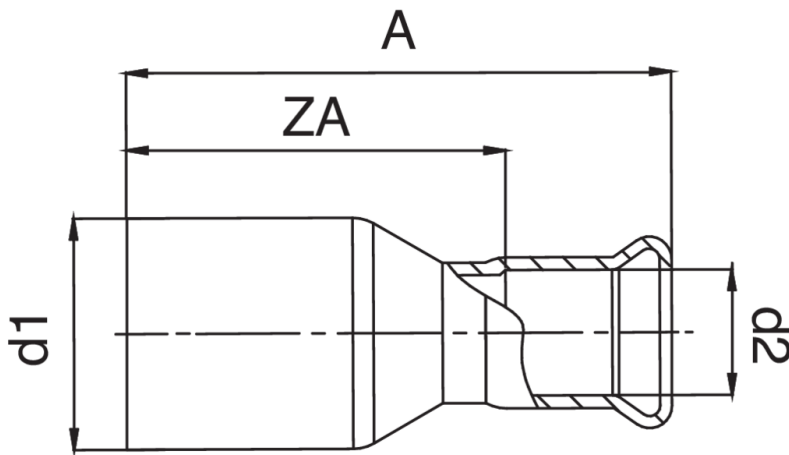




Reducción M/H.



## Especificaciones técnicas



| D1 X D2 | BAG | MASTER BOX | CÓDIGO          | A  | ZA   |
|---------|-----|------------|-----------------|----|------|
| 18 x 15 | 10  | 100        | MX0243018015000 | 55 | 35,5 |
| 22 x 15 | 10  | 150        | MX0243022015000 | 60 | 40,5 |
| 22 x 18 | 10  | 40         | MX0243022018000 | 60 | 40,5 |
| 28 x 15 | 5   | 30         | MX0243028015000 | 68 | 48,5 |
| 28 x 18 | 5   | 70         | MX0243028018000 | 68 | 48,5 |
| 28 x 22 | 5   | 50         | MX0243028022000 | 63 | 40,5 |
| 35 x 18 | 5   | 20         | MX0243035018000 | 77 | 57,5 |
| 35 x 22 | 5   | 50         | MX0243035022000 | 70 | 47,5 |
| 35 x 28 | 5   | 50         | MX0243035028000 | 67 | 44,5 |
| 42 x 18 | 5   | 50         | MX0243042018000 | 86 | 66,5 |
| 42 x 22 | 5   | 50         | MX0243042022000 | 86 | 63,5 |
| 42 x 28 | 5   | 30         | MX0243042028000 | 82 | 59,5 |
| 42 x 35 | 5   | 35         | MX0243042035000 | 76 | 50,5 |
| 54 x 22 | 5   | 20         | MX0243054022000 | 99 | 76,5 |
| 54 x 28 | 5   | 20         | MX0243054028000 | 96 | 73,5 |
| 54 x 35 | 1   | 15         | MX0243054035000 | 94 | 68,5 |
| 54 x 42 | 1   | 15         | MX0243054042000 | 95 | 65,5 |

## Aplicaciones



