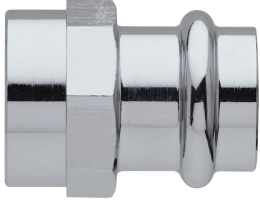
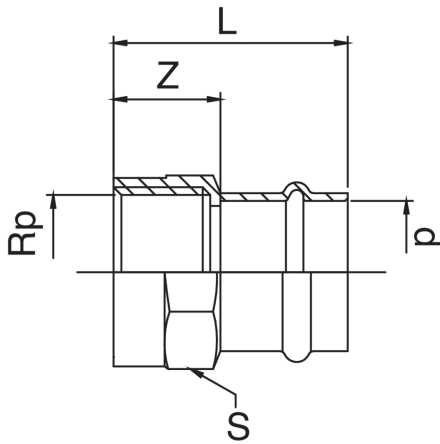


Manguito mixto H/rosca hembra de bronce.



Especificaciones técnicas



| D X RP | BAG | MASTER BOX | CÓDIGO | L | S | Z |
|-----------|-----|------------|-----------------|----|----|---|
| 12 x 3/8" | 10 | 250 | RK8270A38012000 | 35 | 25 | 5 |
| 12 x 1/2" | 10 | 200 | RK8270A12012000 | 36 | 25 | 3 |
| 15 x 3/8" | 10 | 200 | RK8270A38015000 | 36 | 25 | 2 |
| 15 x 1/2" | 10 | 200 | RK8270A12015000 | 40 | 25 | 3 |
| 18 x 1/2" | 10 | 150 | RK8270A12018000 | 41 | 27 | 3 |
| 18 x 3/4" | 10 | 100 | RK8270A34018000 | 44 | 31 | 4 |
| 22 x 1/2" | 10 | 150 | RK8270A12022000 | 41 | 32 | 2 |
| 22 x 3/4" | 10 | 100 | RK8270A34022000 | 46 | 32 | 5 |
| 22 x 1" | 5 | 80 | RK8270B01022000 | 47 | 38 | 4 |

Aplicaciones

